



## Manual Exposed Water Closet Flush Valve Sloan® / Zurn® Retrofit

# 81T201-30-48

### Description

Exposed manual flush valve for 1.5" (38 mm) top spud water closet fixture, less angle stop, with quiet action chloramine-resistant diaphragm and fixed flush volume factory set to 1.27 gpf (4.8 Lpf). Fits Sloan® / Zurn® models.

### Specification

- Flush Volume: Fixed, non-adjustable - factory set @ 1.27 gpf (4.8 Lpf)
- Fixture Type: Water closet with 1.5" (38 mm) top spud
- Valve Type: Water Closet Flush Valve Sloan® / Zurn® Retrofit
- Operation: Oscillating handle

### Features

- Quiet action, chloramine resistant diaphragm
- Renewable seat
- Vacuum breaker
- Polished chrome-plated finish
- Maximum 11.5" (292 mm) from centerline of valve inlet to top of water closet
- Maximum 11.75" (298 mm) from centerline of valve inlet to top of water closet
- Adjustable flush valve tail
- Vandal resistant cover screw
- ADA compliant metal oscillating handle actuator with "non hold open" feature for enhanced accessibility and precise control
- Cover tube, stainless steel wall flange, spud flange, spud nut, and 11.5" (292 mm) outlet tube
- Water conserving fixed, non-adjustable flush volume, factory set to 1.27 gpf (4.8 Lpf) for efficient water usage

### Optional Accessories

- 060117A - 1.5" (38 mm) Diameter Split Ring Hanger

### Operation

- Recommended water supply:  
Minimum flowing pressure – 25 psi (172 kPa)  
Minimum flow rate – 25 gpm (95 L/min)



### Complies With

- ASSE 1037/ASME A112.1037/ CSA B125.37
- ICC / ANSI A117.1
- EPA WaterSense listed



(Contact Delta Representative for State and/or Local Approvals)

**NOTICE** Dimensions are for reference only, measurements may vary  $\pm 0.25"$  (6 mm).

Maximum flow rates - 60 psi (414 kPa).

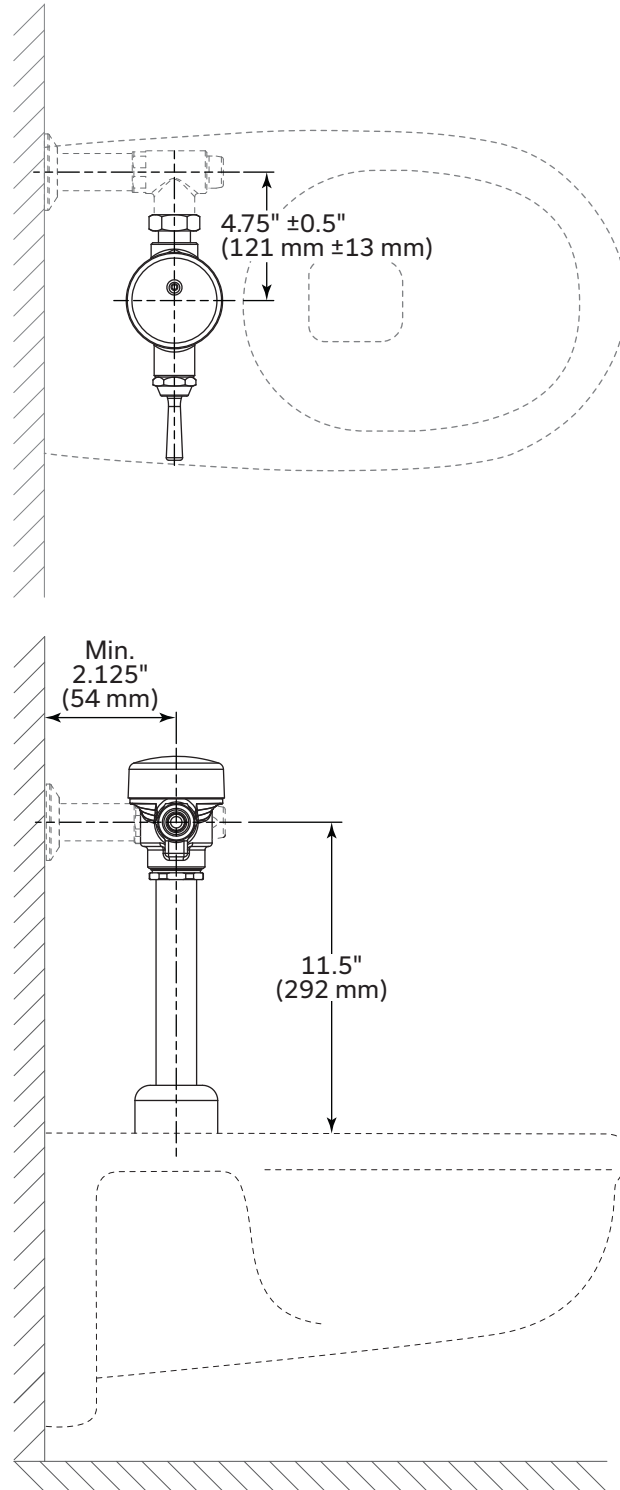
WaterSense® is a registered trademark of the U.S. Environmental Protection Agency.

Masco Canada Limited reserves the right (1) to make changes in specifications and materials, and (2) to change or discontinue models, both without notice or obligation. See current full-line price book for finish options and product availability.

© 2025 Masco Canada Limited  
350 South Edgeware Rd, St Thomas, Ontario, Canada N5P 4L1  
1-800-387-8277

**81T201-30-48**

This spec was produced on June 26, 2025.



Teck® flush valves are designed to operate at any supply pressure between 20 psi and 125 psi in accordance with ASSE 1037/ASME A1 12.1037/ CSA B125.37. The Teck® flush valve delivers the industry's highest peak flows to enhance bowl scrubbing. At high water pressures, splash out, noise or reduced life of plumbing components may be observed with a few models of water closet or urinal fixtures. To minimize or eliminate these effects, select a different model of water closet or urinal from the same or another manufacturer, or install a pressure reducing valve. If the installation does not allow for either of these options, the control stop adjusting screw may be used to reduce pressure to the valve.

**NOTICE** Dimensions are for reference only, measurements may vary  $\pm 0.25"$  (6 mm).

Maximum flow rates - 60 psi (414 kPa).

WaterSense® is a registered trademark of the U.S. Environmental Protection Agency.

Masco Canada Limited reserves the right (1) to make changes in specifications and materials, and (2) to change or discontinue models, both without notice or obligation. See current full-line price book for finish options and product availability.