

AVAIL SELECT (RETROFIT)

Adjustable 5CCT Downlight

Avail Select Retrofit series recessed downlights offer an easy and cost-effective way to upgrade your existing recessed housings to LED. The Avail Select series further enhances convenience with its 5-in-1 selectable color temperature settings, allowing you to choose from a warm 2700K to a bright 5000K daylight. Easily adjust the color temperature to your preference now and adapt to future changes with ease.

- Excellent color rendering (90+ CRI)
- Aluminum housing with polycarbonate lens
- Five selectable color temperatures:
2700K / 3000K / 3500K / 4000K / 5000K
- Lumen output up to 1400 Lumens
- Fits most standard 4", 5" and 6" recessed housings
- Dimmable with most TRIAC dimmers
- cETLus Listed for wet locations
- 50,000 hours rated life
- JA8 Compliant



AVAIL SELECT SERIES QUICK SPECS

VOLTAGE	120V AC, 60Hz
WATTAGE	10W / 15W
LUMENS	See Ordering Information
CCT OPTIONS	2700K / 3000K / 3500K / 4000K / 5000K
CRI	90+
MOUNTING	Retrofit Recessed mount
DIMMING	TRIAC / CL / ELV (10 - 100%)
BEAM ANGLE	95°
OPERATING TEMP	-20°C (-4°F) to 40°C (104°F)
CERTIFICATIONS	cETLus Listed - Wet Location
RATED LIFE	50,000 Hours

PROJECT: _____

TYPE: _____

LOCATION: _____

CATALOG NUMBER: _____

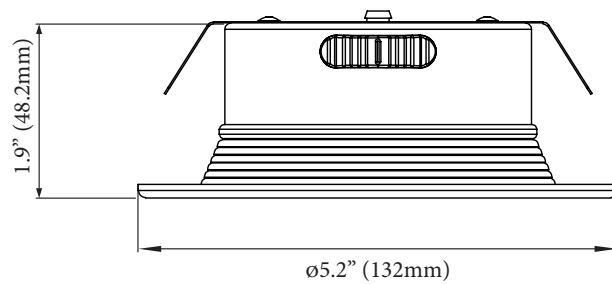


AVAIL RETROFIT SERIES ORDERING INFORMATION

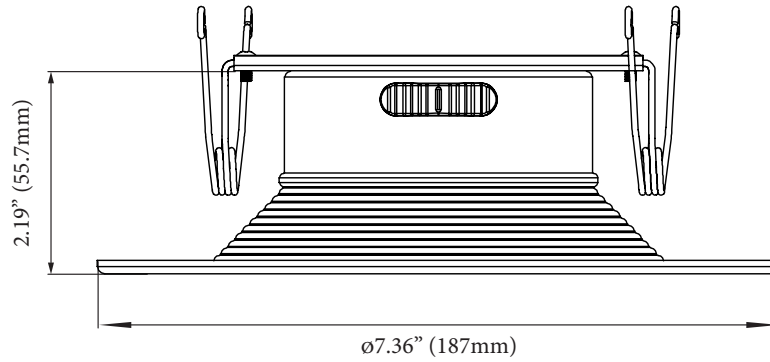
ITEM NUMBER	SIZE	FINISH	VOLTAGE	CCT	CRI	LM @ 27	LM @ 30	LM @ 35	LM @ 40	LM @ 50	WATTAGE	DIMMING
AVD4-5CCT-WH	4"	White	120V AC	5CCT	90+	830	870	920	920	870	10W	10-100%
AVD4B-5CCT-WH	4"	White Baffle	120V AC	5CCT	90+	830	870	920	920	870	10W	10-100%
AVD4-5CCT-DB	4"	Dark Bronze	120V AC	5CCT	90+	825	830	860	860	830	10W	10-100%
AVD4-5CCT-BK	4"	Black	120V AC	5CCT	90+	825	830	860	860	830	10W	10-100%
AVD56-5CCT-WH	5/6"	White	120V AC	5CCT	90+	1250	1340	1400	1400	1340	15W	10-100%
AVD56B-5CCT-WH	5/6"	White Baffle	120V AC	5CCT	90+	1250	1340	1400	1400	1340	15W	10-100%
AVD56-5CCT-DB	5/6"	Dark Bronze	120V AC	5CCT	90+	1240	1280	1400	1400	1270	15W	10-100%
AVD56-5CCT-BK	5/6"	Black	120V AC	5CCT	90+	1240	1280	1400	1400	1270	15W	10-100%
AVD6S-5CCT-WH	6"	White Gimbal	120V AC	5CCT	90+	1230	1250	1300	1300	1250	15W	10-100%

AVAIL RETROFIT SERIES QUICK DIMENSIONS AD56

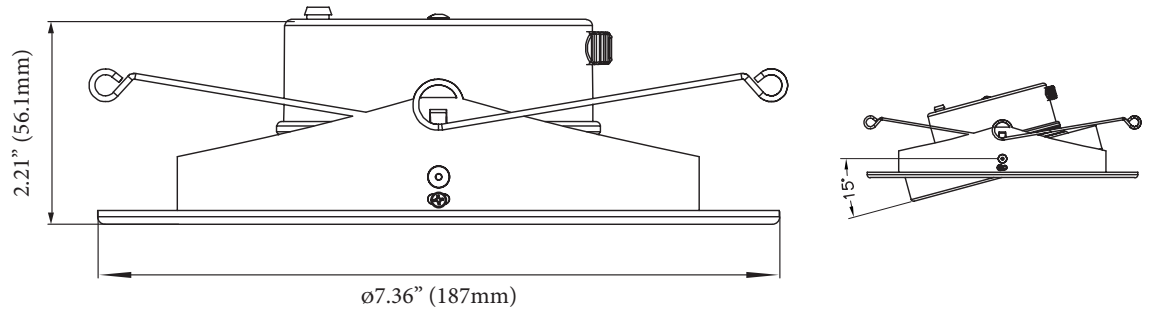
AVAIL SELECT 4"



AVAIL SELECT 5/6"



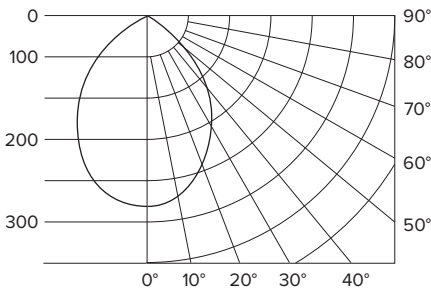
AVAIL SELECT 6" SWIVEL



AVAIL RETROFIT SERIES PHOTOMETRICS

AD4-5CCT

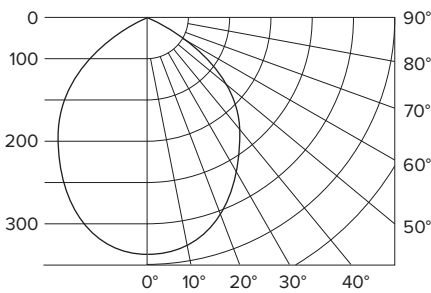
PART NUMBER	AVD4-5CCT-WH
BEAM SPREAD	95°
LUMENS	849Lm
WATTAGE	10W
EFFICACY	84.9Lm per watt
CCT	@2700K
CRI	90



Foot Candles	Distance From Light	Beam Dia.
9.1	5'	10.9'
6.3	6'	13.1'
4.6	7'	15.3'
3.5	8'	17.5'
2.8	9'	19.6'
2.3	10'	21.8'

AD56-5CCT

PART NUMBER	AVD56-5CCT-WH
BEAM SPREAD	95°
LUMENS	1263Lm
WATTAGE	15W
EFFICACY	84.2Lm per watt
CCT	@2700K
CRI	90



Foot Candles	Distance From Light	Beam Dia.
13.5	5'	10.9'
9.4	6'	13.1'
6.9	7'	15.3'
5.3	8'	17.5'
4.2	9'	19.6'
3.4	10'	21.8'

AVAIL RETROFIT SERIES RECOMMENDED DIMMERS

BRAND	MODEL #
Lutron	Maestro MACL-153MR-WH
Lutron	Diva DVWCL-153P
Lutron	Skylark CTCL-153PDH
Lutron	Toggler TGCL-153PH
Leviton	6672
Leviton	6674
Lutron	Skylark S-600H
Lutron	Toggler TG-600PH
Leviton	Diva DV-600PR
Lutron	Skylark ELV SELV - 300P
Lutron	Diva ELV DVELV - 300P
Lutron	Skylark SLV-600P-IV

Dimmer performance may vary in field application due to unknown external factors. Dimmers not included on the chart above are not necessarily incompatible; they have yet to be fully evaluated. Please reference dimmer manufacturer's instructions for more detailed information regarding performance and compatibility. Test data listed above is based on single lamp data.



AMERICAN LIGHTING WARRANTY

LIMITED WARRANTY FOR LED PRODUCTS: 5 YEARS

LIMITED PRODUCT WARRANTY

Our products are warranted to be free from defects in material and workmanship for the warranty period listed. Warranty periods begin from the date of shipment from American Lighting Inc's warehouse to the original purchaser. Products that prove to be defective during their specific warranty period will be either repaired or replaced, at the sole discretion of American Lighting Inc. Claims for defective products must be submitted in writing to American Lighting Inc's RGA Department within the warranty period. Upon approval of such return, American Lighting Inc reserves the right to inspect the product for misuse or abuse. Claims for indirect or consequential damages or for product that, in American Lighting Inc's opinion, has been misused will be denied. This is a warranty of product reliability only and not a warranty of merchantability or fitness for a particular purpose. American Lighting Inc shall have no liability whatsoever in any event for payment of incidental or consequential damages, including, without limitations, installation costs and/or damages for personal injury and/or property. These products may represent a possible shock or fire hazard if improperly installed or altered in any way. This warranty does not apply to any product that has not been properly installed in accordance with current local codes and/or the National Electrical Code. Products that require a transformer, driver, or power supply must be used in conjunction with American Lighting Inc's recommended power supply to ensure safety and retain product warranty.

PRODUCT SPECIFICATIONS

For the latest product information, updates, instructions and details concerning specifications, colors, finishes, performance, installation and design, visit www.americanlighting.com. Color may vary from the color printed herein due to limitations in photographic and printing processes. American Lighting Inc. reserves the right to change product specifications without notice. Other product specifications such as color temperature, wavelength characteristics and lumen output are subject to production limitations and may vary. LED technology is changing rapidly, and not all color temperatures and performance levels can be duplicated at a later time. Best practices include purchasing 10-15% more for a particular project on the same initial order where white LED color temperatures must be maintained over project and product life. Eventual product replacement should be considered at layout and design stages. Best practices also include testing connections and product performance prior to mounting and/or installing.

AVERAGE LIFE

Average incandescent lamp life, rated life and average life are terms used to describe the number of hours at which half of the lamps have failed. For LEDs, the hours of rated life specify the point where 70% of original lumen output is reached. Below this point, the effective life is over, however, the LED may still emit light. Individual results may vary with actual environmental conditions including, but not limited to, proper installation, ambient temperature and/or input voltage fluctuations.